



MEGAMAN® ZDL3027

LED Flood Light



Full range series from 10 to 200W



Water blocker avoid from input wire



Toughened glass cover & SMD LED Design



Flicker free



IP65



IK08



25000 hrs

MEGAMAN® ZDL3027

Product Features

- Ultra-thin shape design, more beautiful, smaller size
- Die cast aluminum radiator, excellent heat dissipation performance
- DOB driver, integrated design
- Adopt professional optical design lens
- IP65 waterproof and dustproof grade
- High quality 2835 LED chips
- Comply with CB, Safe and reliable

Applications

- ✗ Landscape
- ✗ Landscape Lighting
- ✗ Outdoor Advertising
- ✗ Courtyard Wall
- ✗ Factory



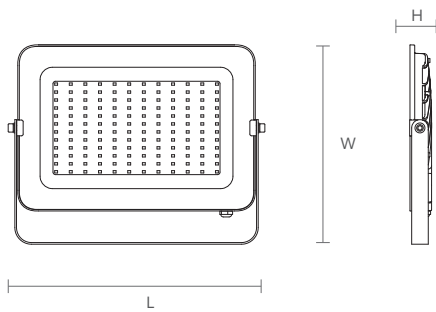
170-240V
Input Voltage



25000hrs
Long Lifespan

Model	W	PF	lm	BA	Beam Angle	Single Box Dimensions (LxWxH)mm	Outer Box Dimensions (LxWxH)mm	Packing Qty (PCS/CTN)
ZDL3027 10W	10	0.9	900/1000	110°	25000	120*27*98	300*260*215	40
ZDL3027 20W	20	0.9	1800/2000	110°	25000	120*27*108	300*280*235	40
ZDL3027 30W	30	0.9	2700/3000	110°	25000	185*27*130	390*300*150	20
ZDL3027 50W	50	0.9	4500/5000	110°	25000	230*25*177	280*245*195	12
ZDL3027 100W	100	0.9	9000/10000	110°	25000	315*28*248	330*250*265	8
ZDL3027 150W	150	0.9	13500/15000	110°	25000	380*35*287	395*240*305	6
ZDL3027 200W	200	0.9	18000/20000	110°	25000	445*35*327	460*170*345	4

Dimensional Drawing



Model	L(mm)	W(mm)	H(mm)
ZDL3027 10W	100	90	20
ZDL3027 20W	120	100	22
ZDL3027 30W	170	125	22
ZDL3027 50W	222	170	22
ZDL3027 100W	310	240	26
ZDL3027 150W	370	280	28
ZDL3027 200W	435	320	28

Photometric Data

