

# LED Floodlight

Signature ZDL3019C

**MEGAMAN®**

PRODUCT DATASHEET

200W,300W

## FEATURES

- Die-casting technology: ADC12 provide the heat sink with excellent thermal management
- Blue corner: unique appearance and increases industrial look
- Modular design: easy to assemble and disassemble, facilitate customer inventory and fast delivery to project
- Rotatable module: each module can be rotated by  $\pm 30^\circ$
- Galvanized steel bracket: high corrosion resistance,
- Spill shield: reduces the light pollution

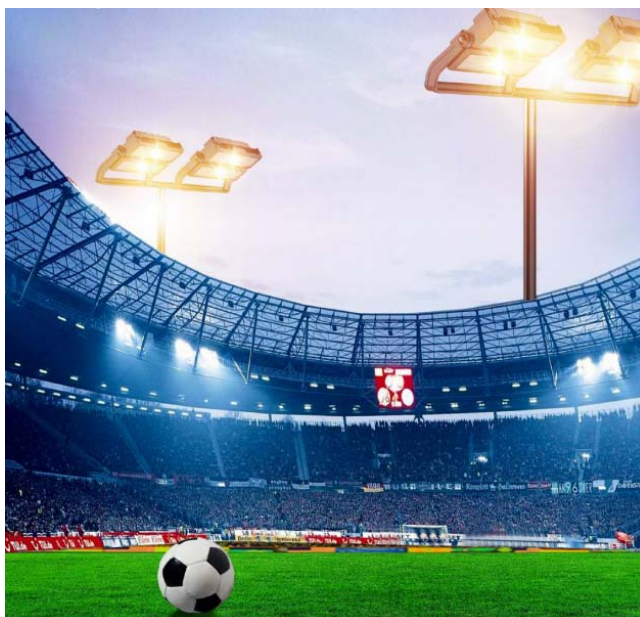
## BENEFITS

- Optical lighting distribution: symmetrical:  $10^\circ/15^\circ/25^\circ/45^\circ/60^\circ/90^\circ$   
asymmetrical:  $130^\circ \times 30^\circ \times 60^\circ/130^\circ \times 60^\circ \times 25^\circ$
- 1-10V dimming for option
- Integrated breather valve: balance the internal and external pressure, humidity and temperature
- Lighting Design : Dialux & AGI32

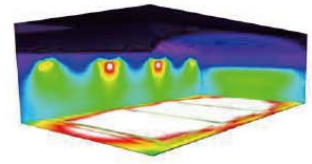
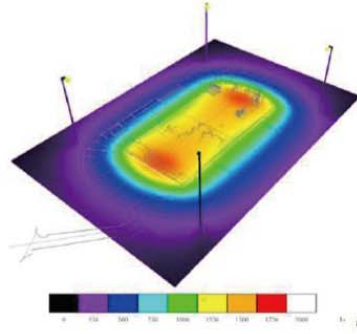
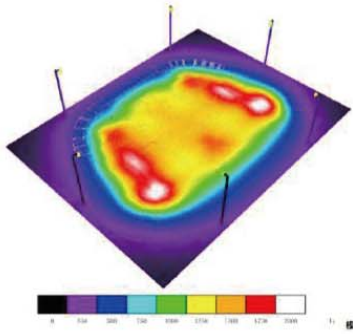


## APPLICATIONS

- Football Field
- Stadium Lighting
- Dock
- Crane Tower
- Airport



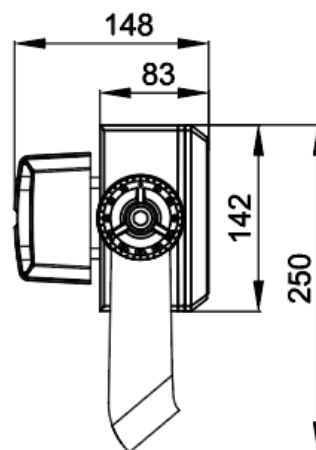
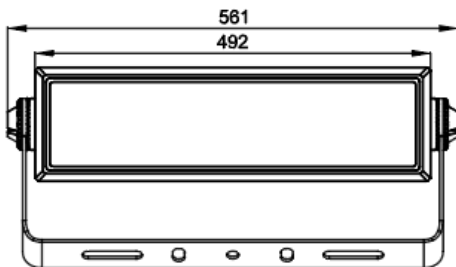
## LIGHTING DESIGN



## GENERAL INFORMATION

Model Number	ZDL3019C
Power	200W/300W
Luminous Efficiency	140lm~160lm/W
Input Voltage	AC85-265V
CCT	2700K~6500K
CRI	Ra>80 RA>70
Chip Brand	OSRAM
Power Factor	>0.9
Beam Angle	10°/15°/25°/45°/60°/90°/65°25°
IP/IK	IP66/IK08
Working Temperature	-20 – 50℃
Driver	MW/SOSEN
LED quantity	440PCS
Product Size(mm)	561*148*250
Housing	Aluminum die-casting

## DIMENSIONAL DRAWING 200W/300W



LOGISTIC INFORMATION

Power	Packaging Unit	Outer Box Dimensions			Net Weight	Gross Weight
		L	W	H	kg	Kg
Pcs/unit		mm	mm	mm		
200W	1PCS	630	330	230	7kg	7.6kg
300W	1PCS	630	330	230	7kg	7.6kg

PHOTOMETRIC DIAGRAM

