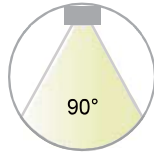


# LED Sidelit Panel Light



## Product Features

1. The panel light is mainly used in commercial lighting places, such as office, factory, supermarket and so on.
2. The panel has uniform and soft luminance, high luminous efficacy, saving energy and protecting environment.
3. Thickness is 9.5mm, extremely slim and beautiful.
4. Using high quality aluminum frame with great heat dissipation and low light degradation.
5. Using high quality driver, efficiency >86%, PF>0.9.
6. Dustproof: the distance between back cover and frame is nearly zero.

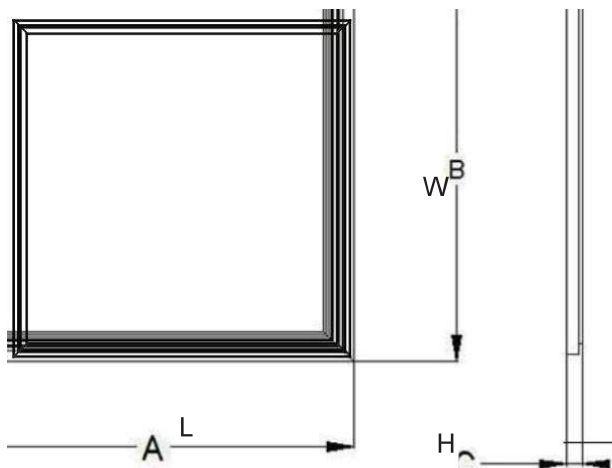
## Specification

Part No.	1195*1195*12mm	1195*595*10mm
Power	60W	30W
Working Current	1400 mA	700 mA
Luminous Flux	5200-6400 lm	2800-3200 lm
Input Voltage	AC220-240V	
Output Voltage	DC30-42V	
Luminous Efficacy	100-120LM/w	
PF	>0.90	
CCT(K)	4000K	
Ra	>80	
Beam Angle	90°	
Operating Temperature	-20°-40°	
IP Grade	IP40	
UGR	<19	
LED brand	Osram, philips, samsung	
Drive	Lifud no flicker	

Note: Above is the normal parameters, the following functions can be achieved according to customers requests.

1. 1-10V dimming, DALI dimming, for all above specifications.
2. Kelvin Temperature is adjustable. Two CCTS can exist in one panel (3000K, 4000K, 5000K, 6000K, 6500K, any two you want)
3. UGR<19
4. Emergency panel light: emergency power is 4-20W, emergency time is 1.5-3h, for all the above specifications.

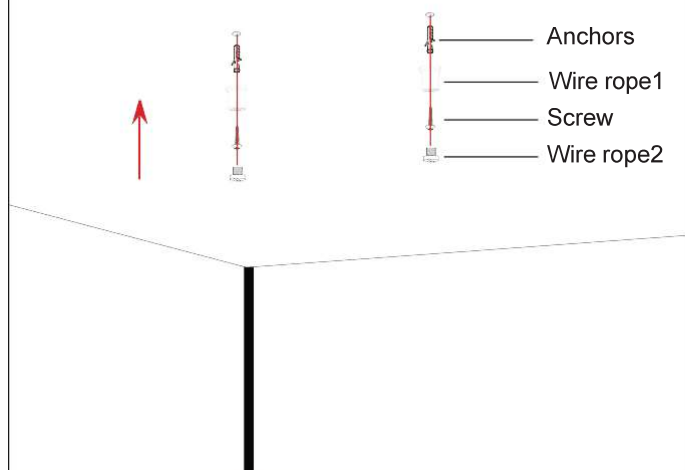
## Product Dimension



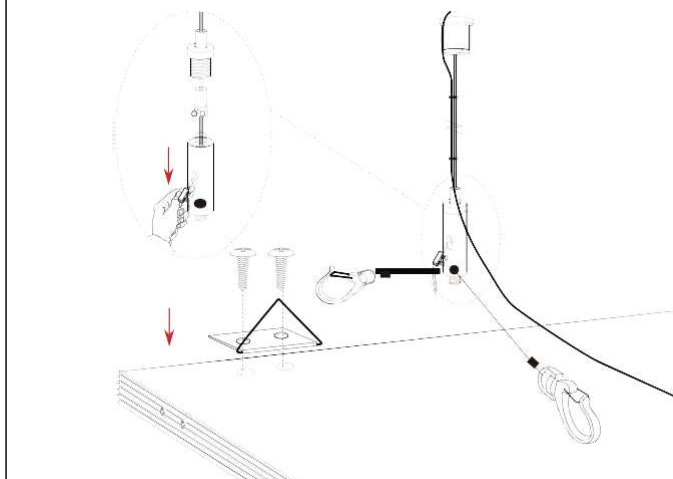
Part No.	Size(mm)		
	L	W	H
PL1195*595	1195	595	10
PL1195*1195	1195	1195	12

## Suspension kit Installation

1. Drill two holes in the ceiling, and put the anchors into hole, then insert the wire rope and screw.



2. Adjusting the hanging rope making the panel in a horizontal state.



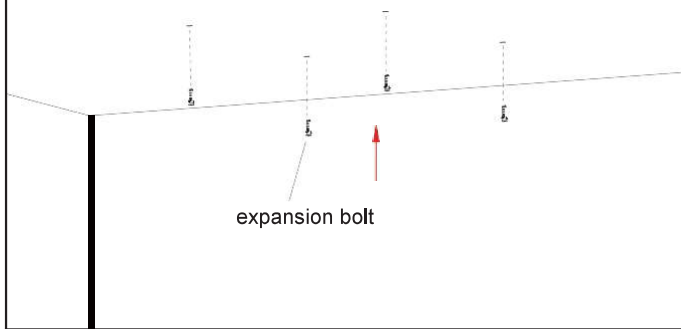
3. The installation is finished.



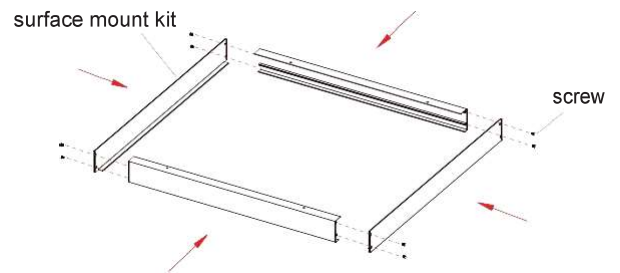
**(Note: Suspending installation method is not suitable to be used for products with dimensions of 1195\*595mm.)**

## Surface Mounted Installation

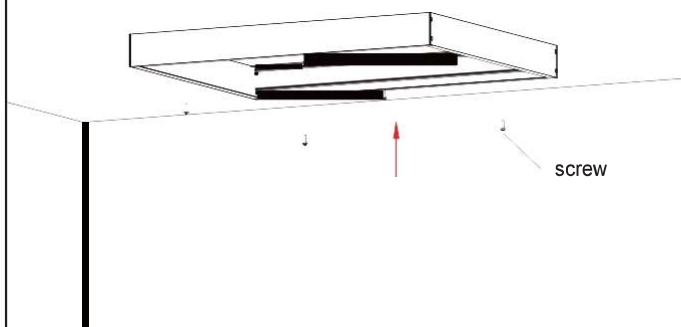
1. Make holes on the ceiling based on the position and size of the holes of surface mounted kits.



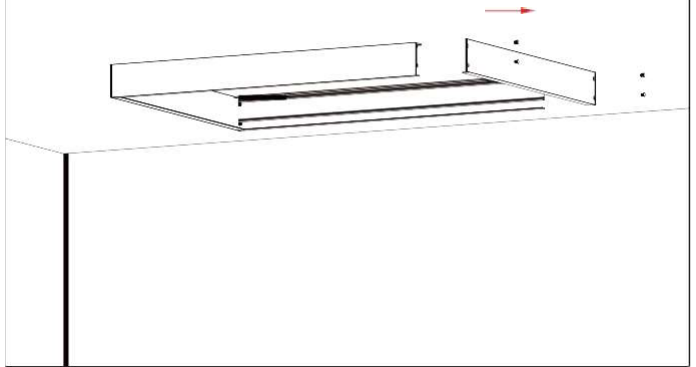
2. Connect the surface mounted kits by using screws.



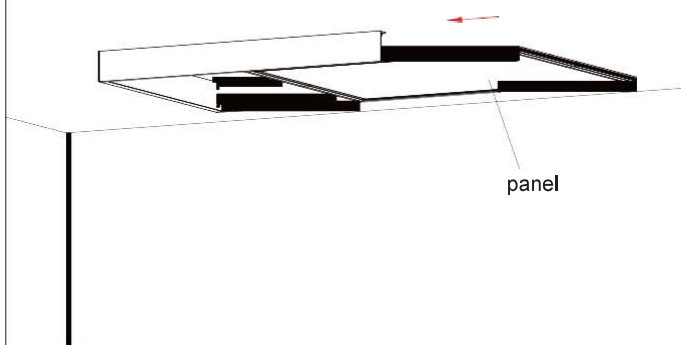
3. Fix the surface mounted frame on the ceiling by using screws.



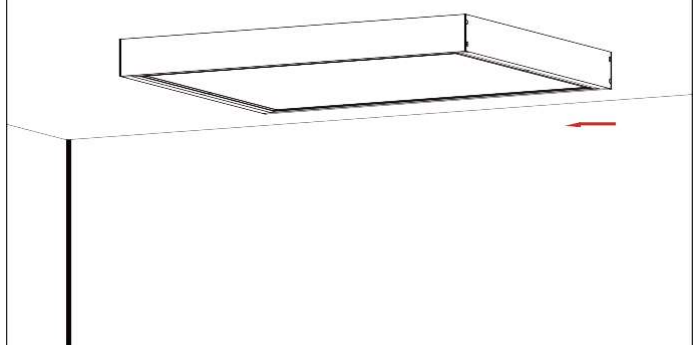
4. Take off one part of the surface mounted frame as illustrated.



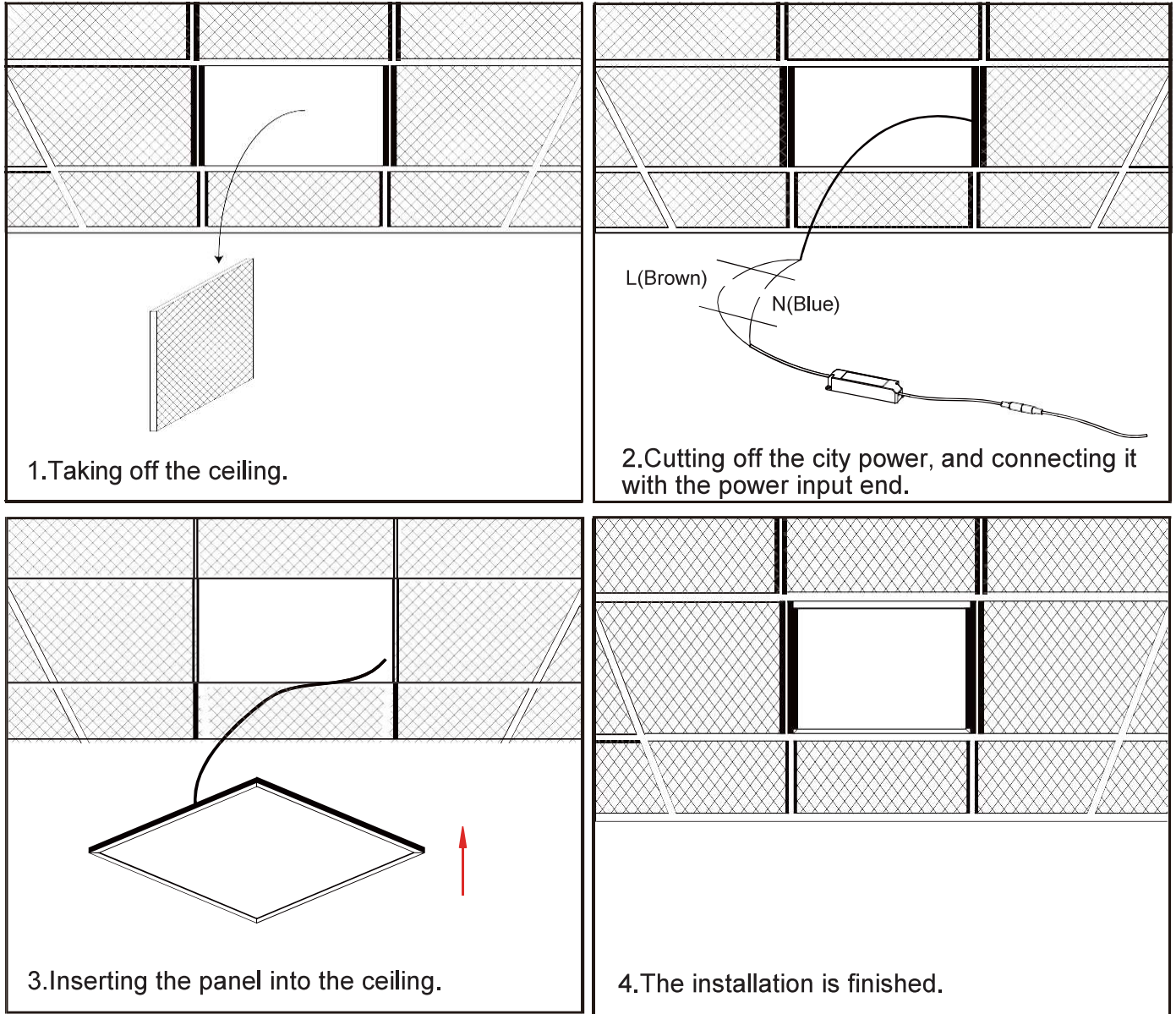
5. Insert the panel into the surface mounted frame.



6. Fix the surface mounted kits tightly.



**Recessed Installation**



**Packaging Guide**

Model No. 型号	PCS/CTN 装箱数量	Carton Size 尺寸/CM	Weight/ CTN箱重量
PL120120	2PCS/外箱(CTN)	1290*105*1290mm	25KG
PL60120	4PCS/外箱(CTN)	1272*140*678mm	21.5KG

